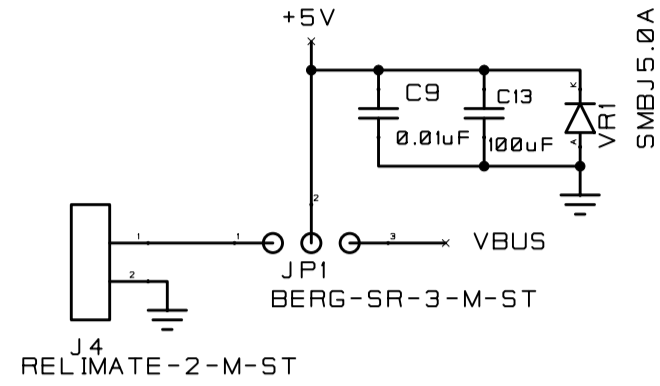
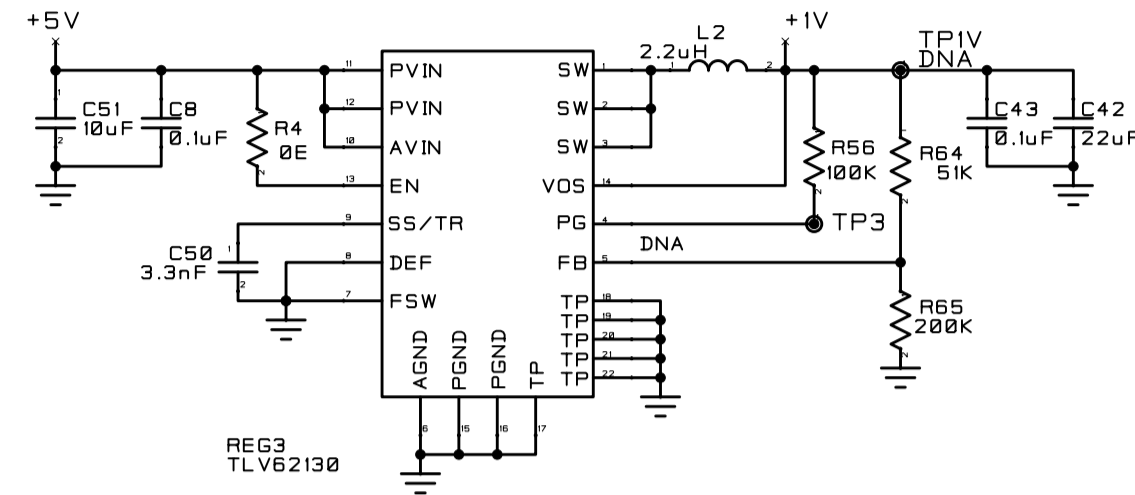


# CHECK IP AND OP VOLTAGES

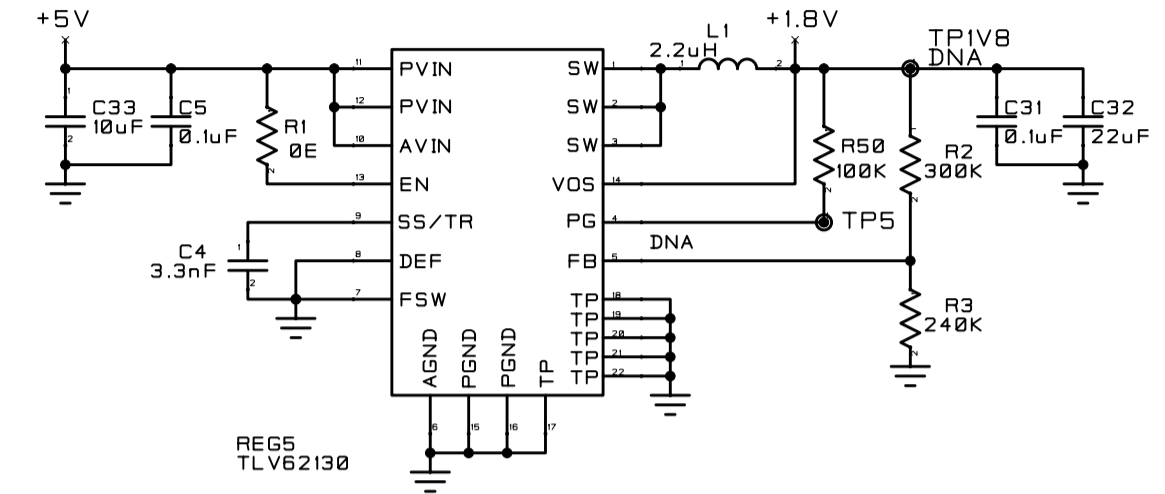
## POWER SUPPLY



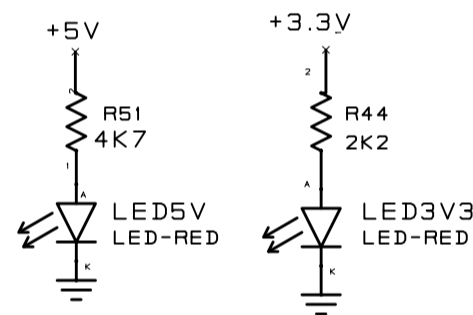
## +1V 3A



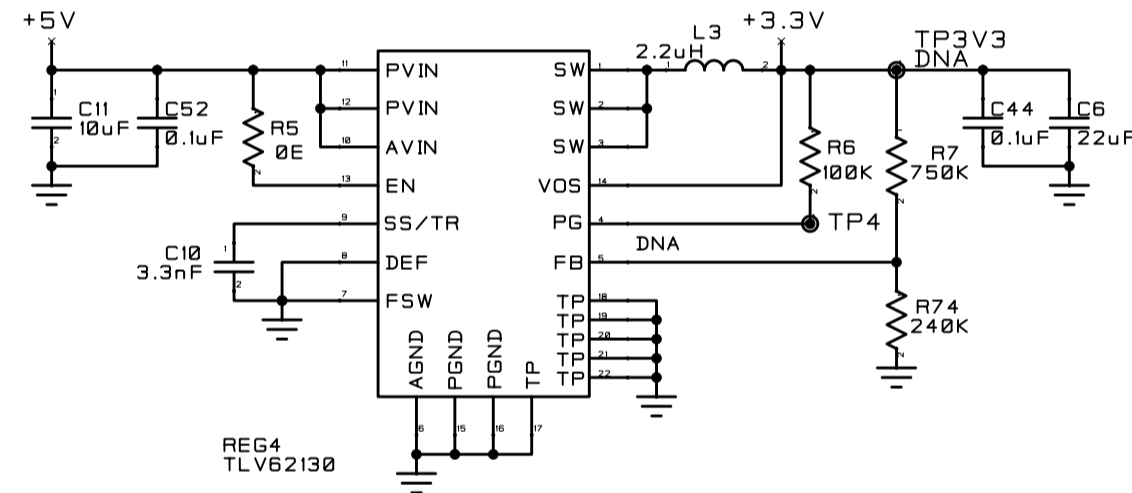
## +1.8V 3A



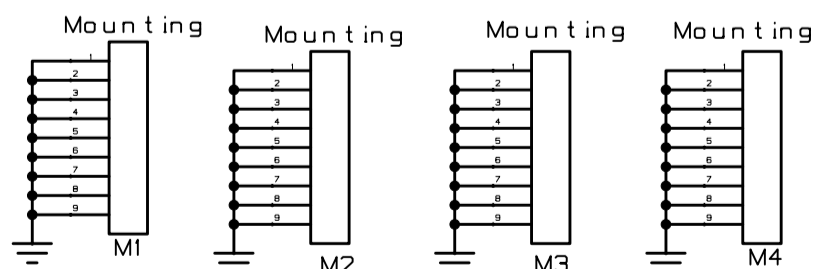
## LED



## +3.3V 3A



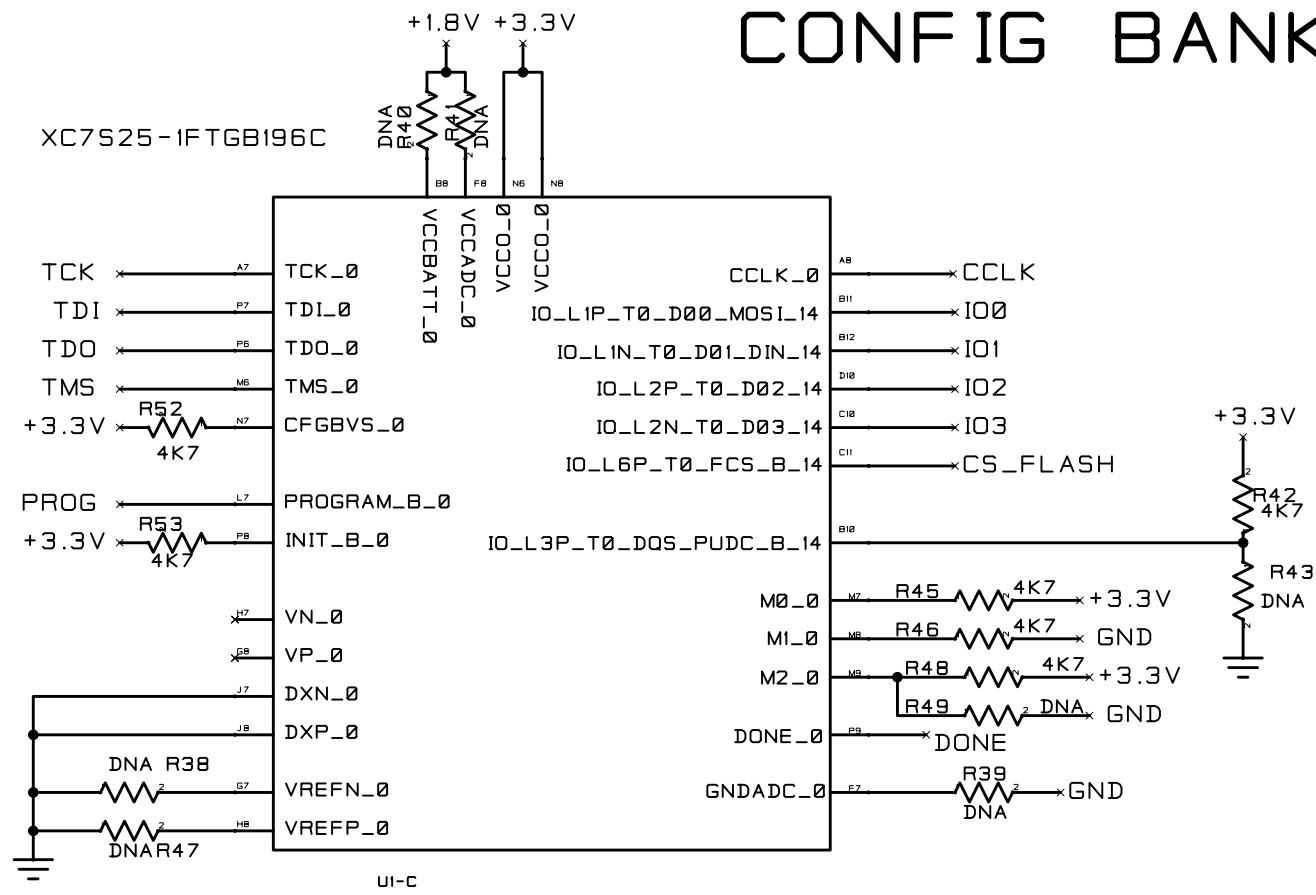
## MOUNTING



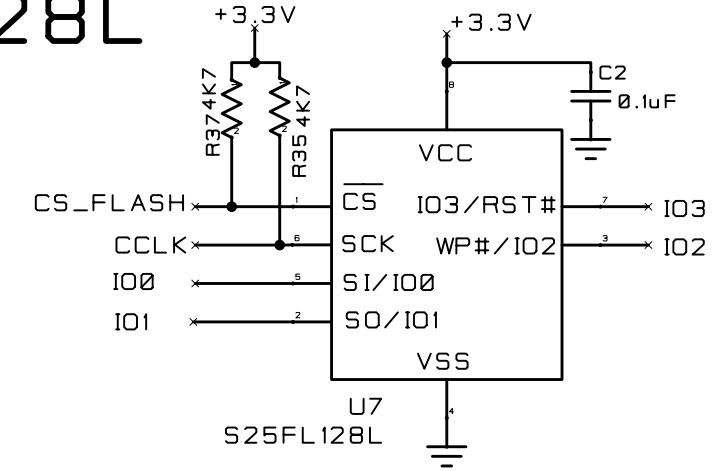
- ⊗ F1 FIDUCIAL
- ⊗ F2 FIDUCIAL
- ⊗ F3 FIDUCIAL
- ⊗ F4 FIDUCIAL
- ⊗ F5 FIDUCIAL
- ⊗ F6 FIDUCIAL

DWG NAME: PINE SPARTAN7		COMPANY NAME: FPGATECHSOLUTION	
DATE	15/11/2020	TITLE: PINE SPARTAN7	
DESIGNED		PCB NO. PINE_S7	REV.
CHECKED		SIZE: 82mm X 128mm	
DRAWN		CUSTOMER:	SHEET

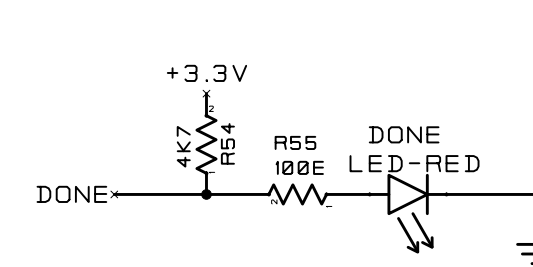
## CONFIG BANK



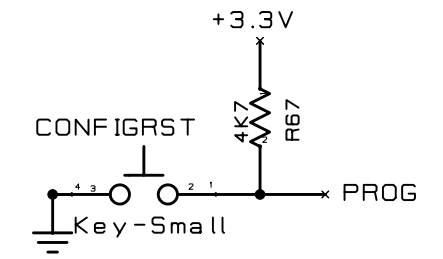
## FLASH S25FL128L



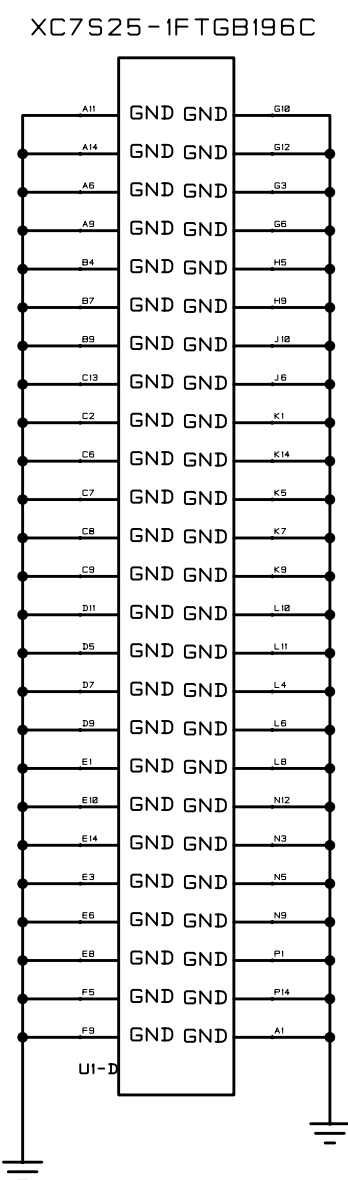
## DONE LED



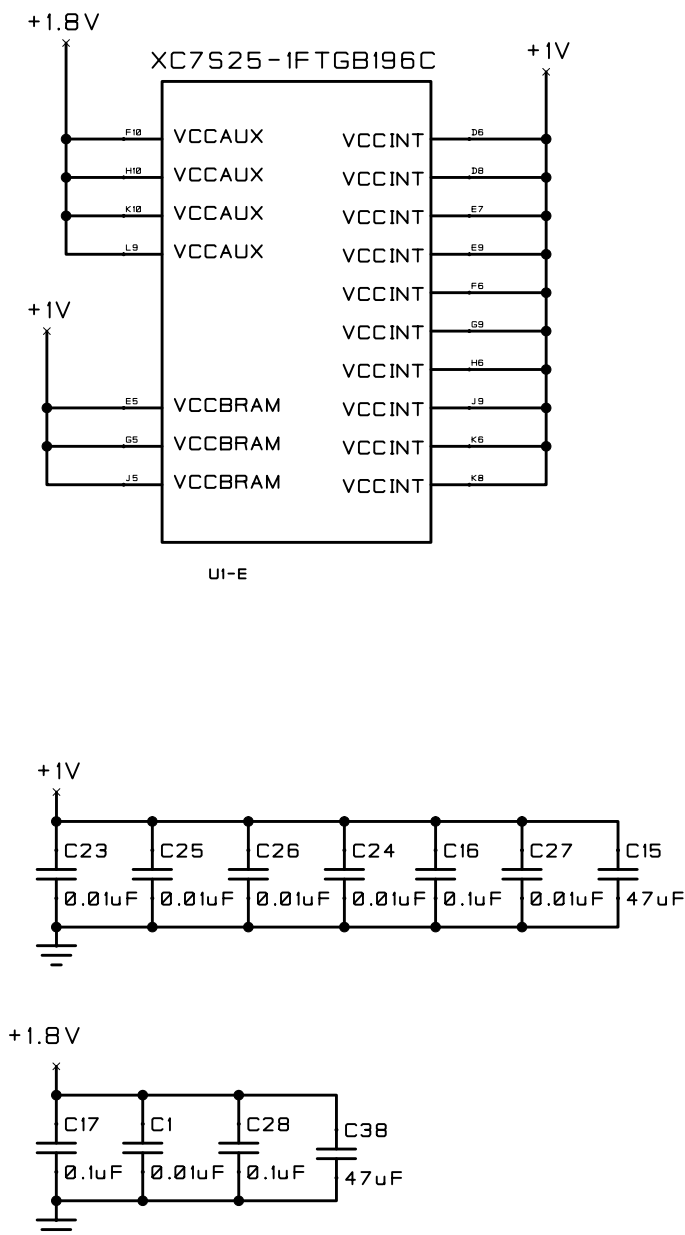
## CONFIG RESET



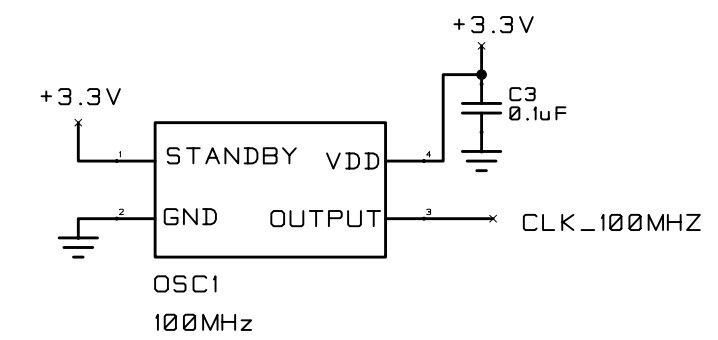
## GND BANK



## POWER BANK

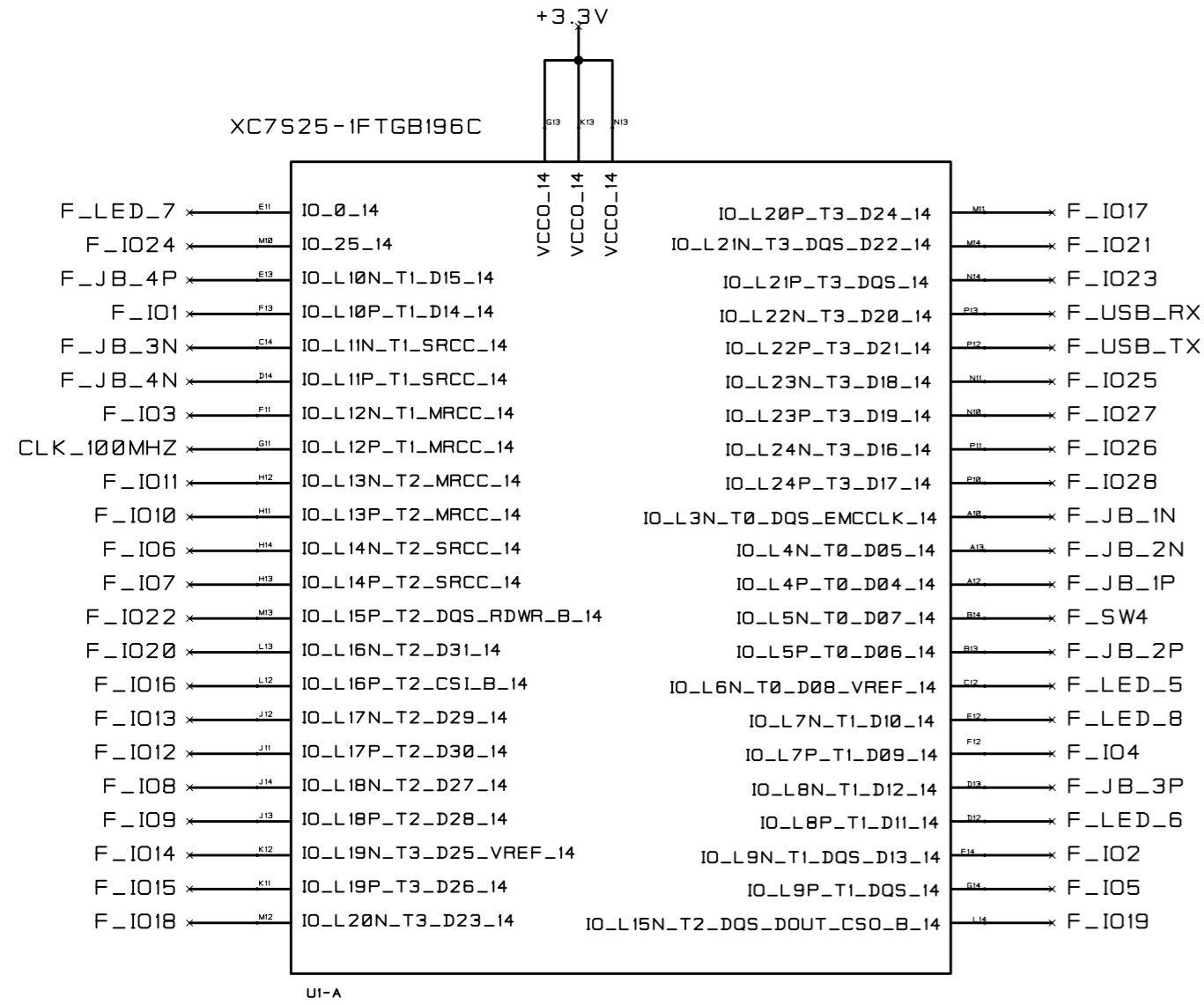


## OSCILLATOR

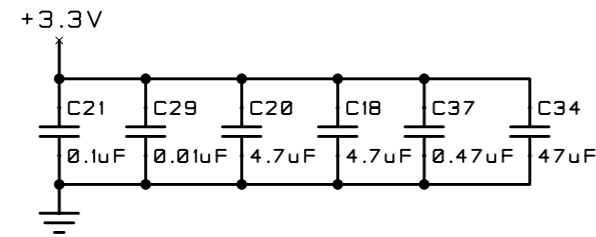


DWG NAME: PINE SPARTAN7		COMPANY NAME: FPGATECHSOLUTION	
DATE	15/11/2020	TITLE: PINE SPARTAN7	
DESIGNED		PCB NO. PINE_S7	REV.
CHECKED		SIZE: 82mm X 128mm	
DRAWN		CUSTOMER:	SHEET

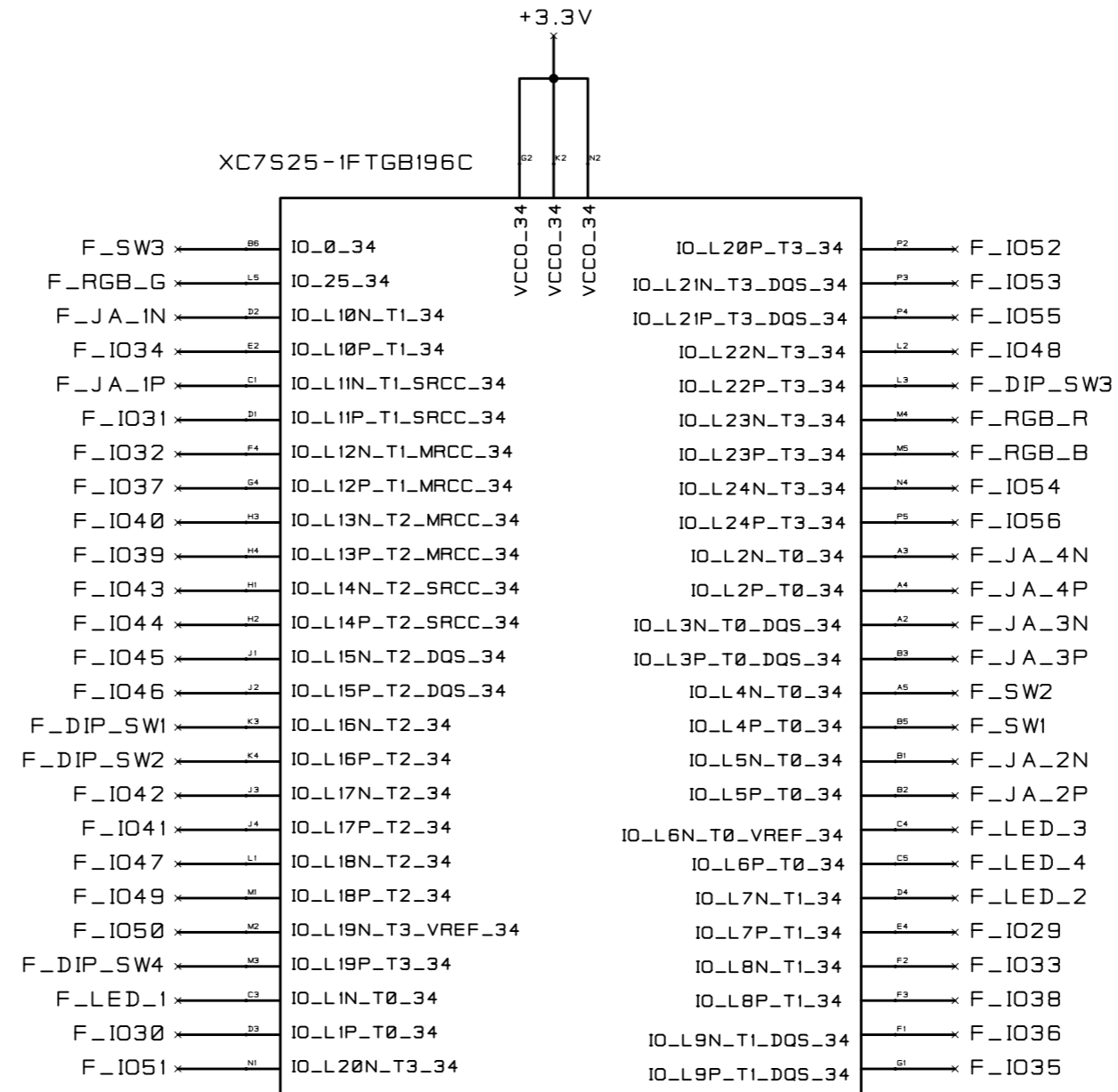
# BANK 14



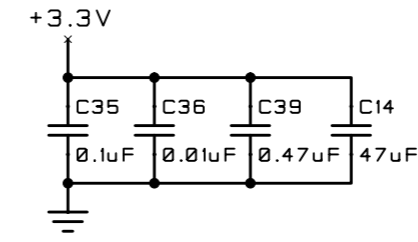
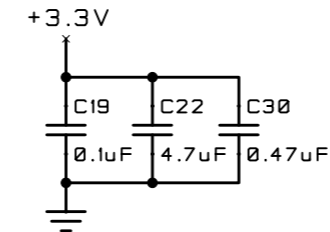
UI-A



# BANK 34

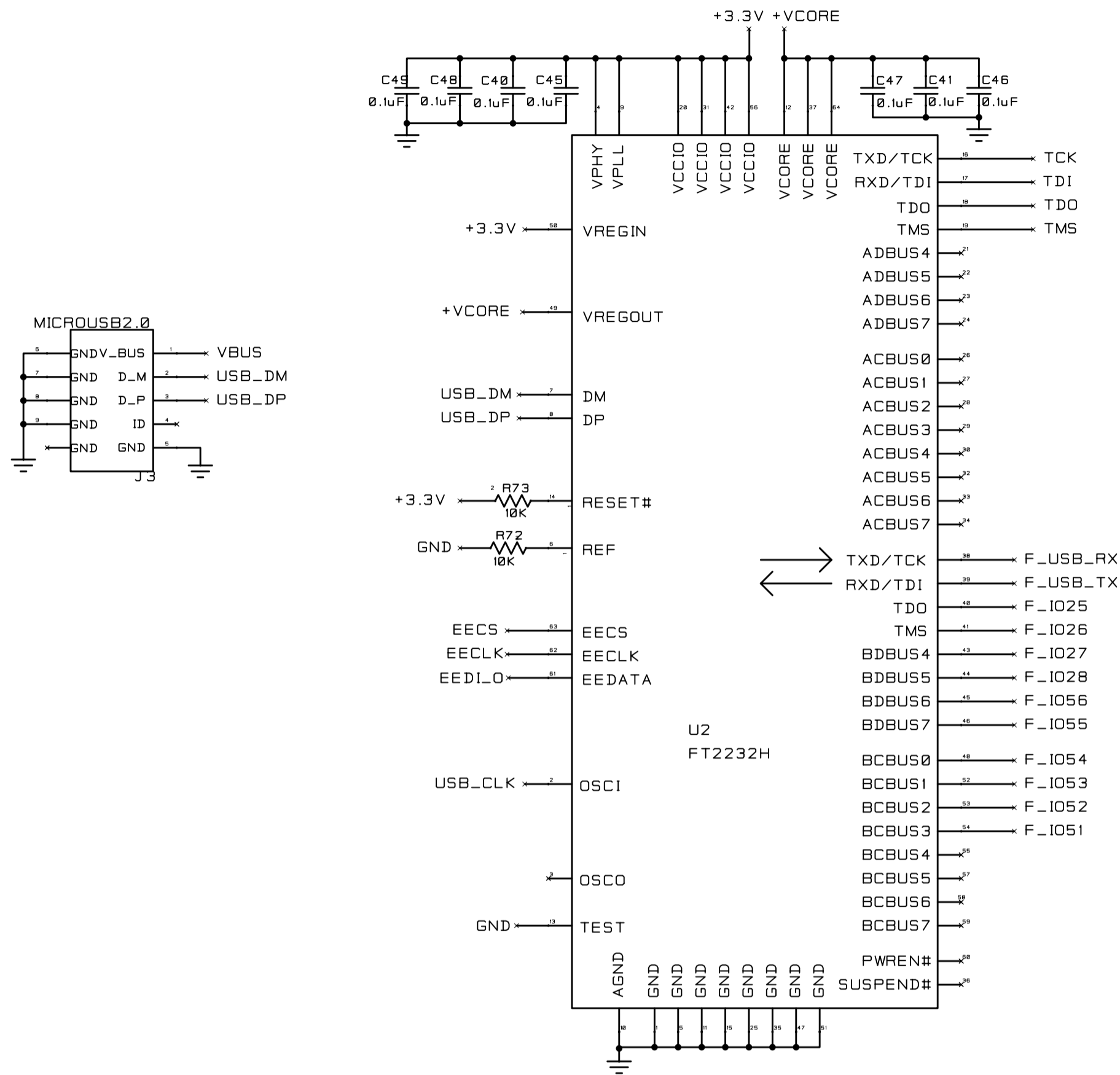


UI-B

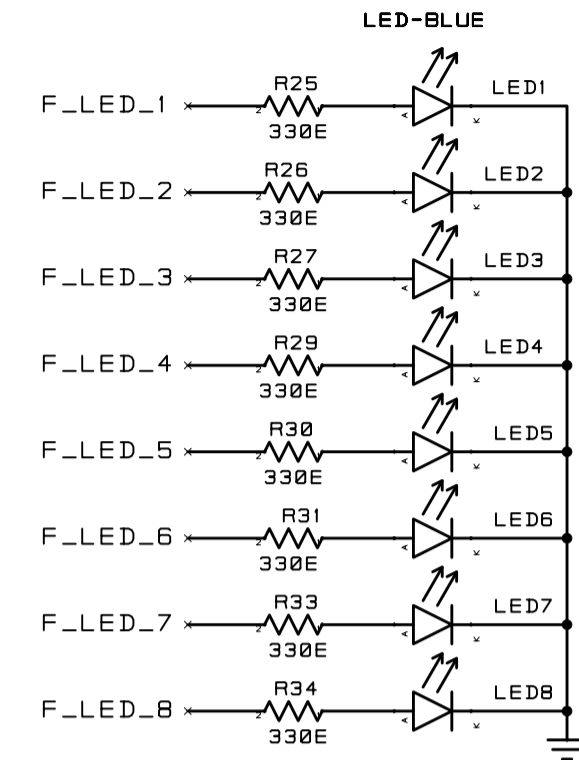


DWG NAME: PINE SPARTAN7		COMPANY NAME: FPGATECHSOLUTION	
DATE	15/11/2020	TITLE: PINE SPARTAN7	
DESIGNED		PCB NO. PINE_S7	REV.
CHECKED		SIZE: 82mm X 128mm	
DRAWN		CUSTOMER:	SHEET

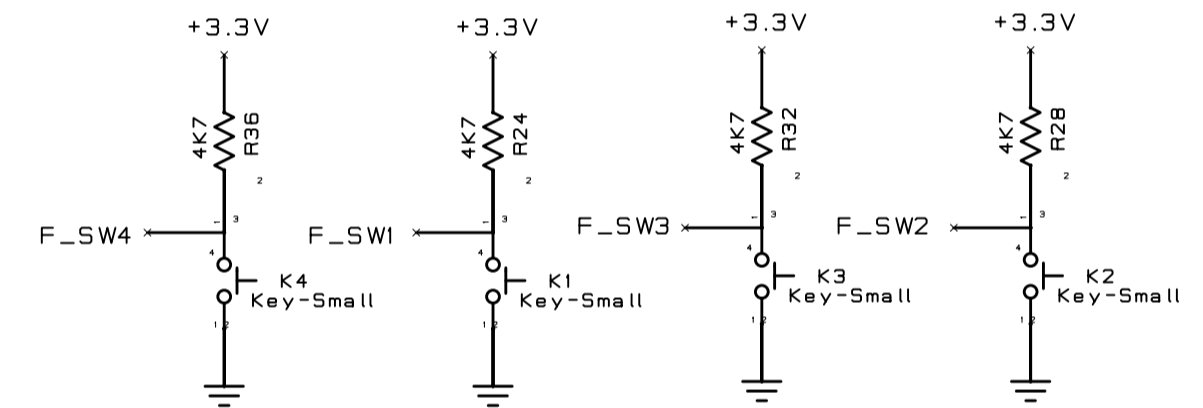
# USB



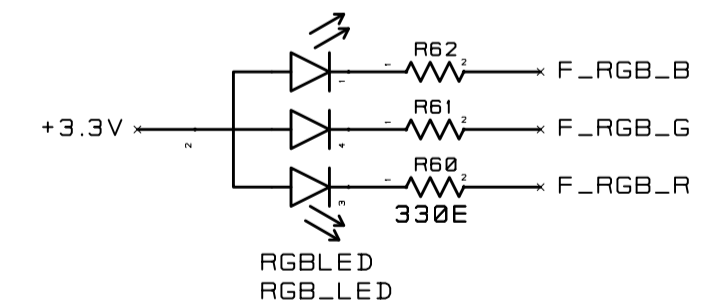
# LEDs



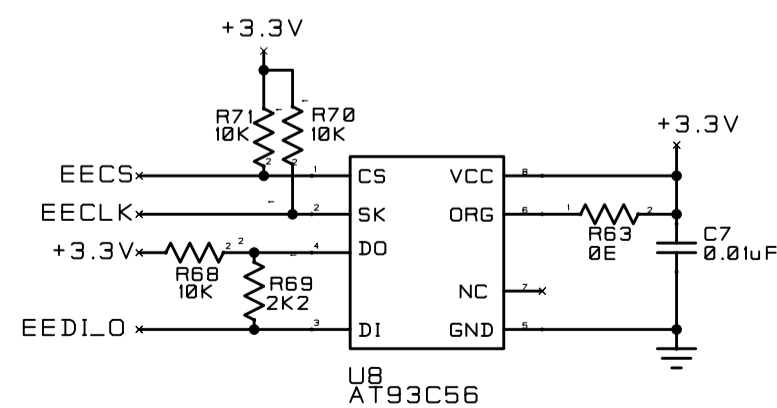
# PUSH BUTTON



# RGB LED

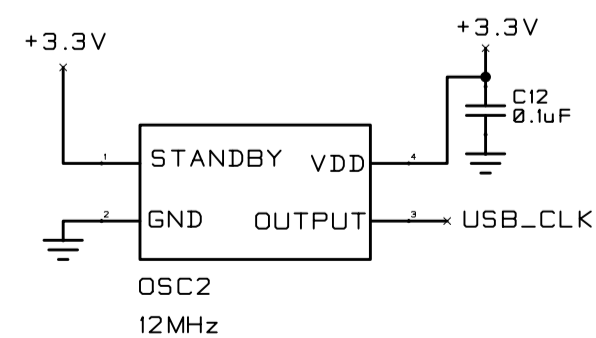


# EEPROM

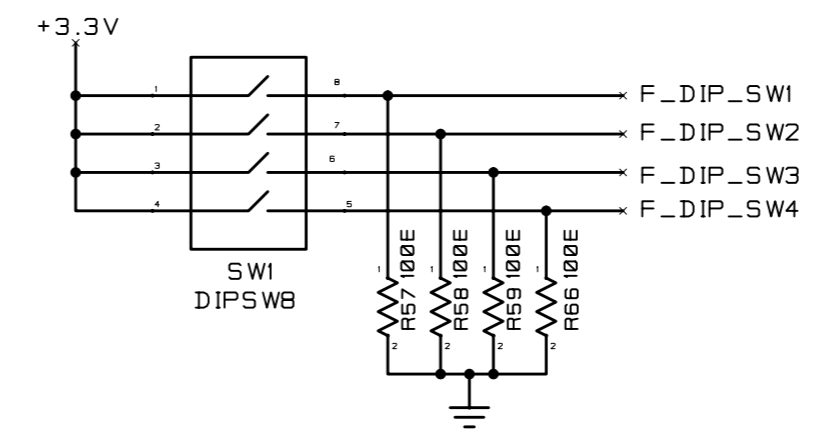
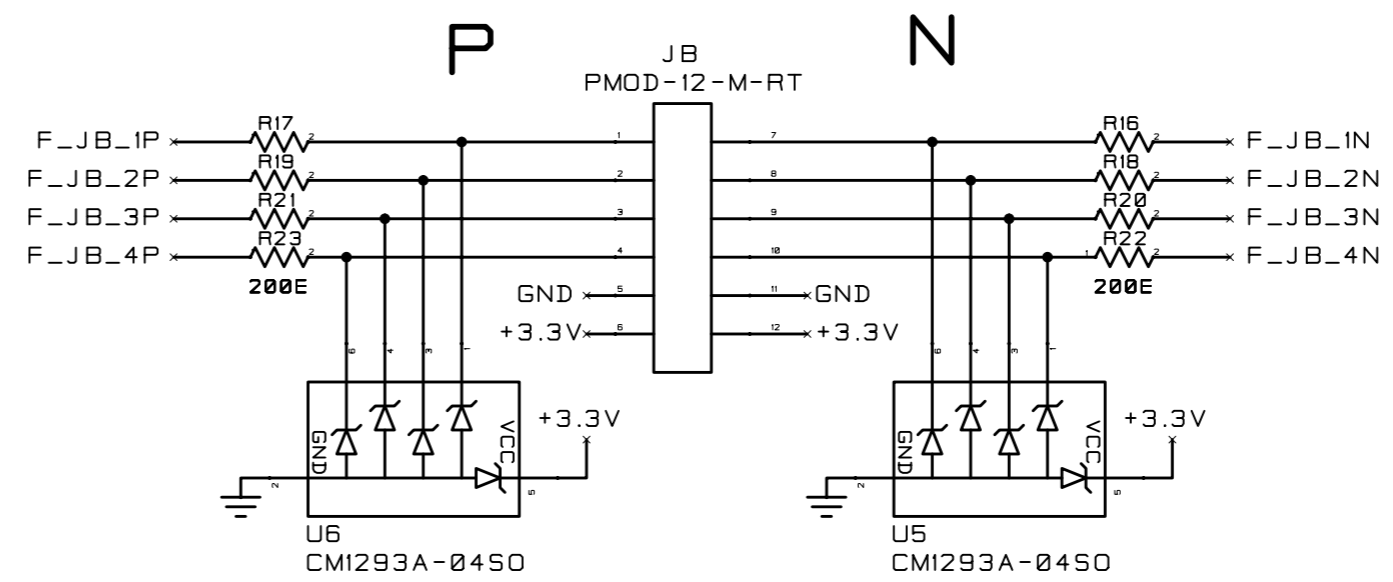
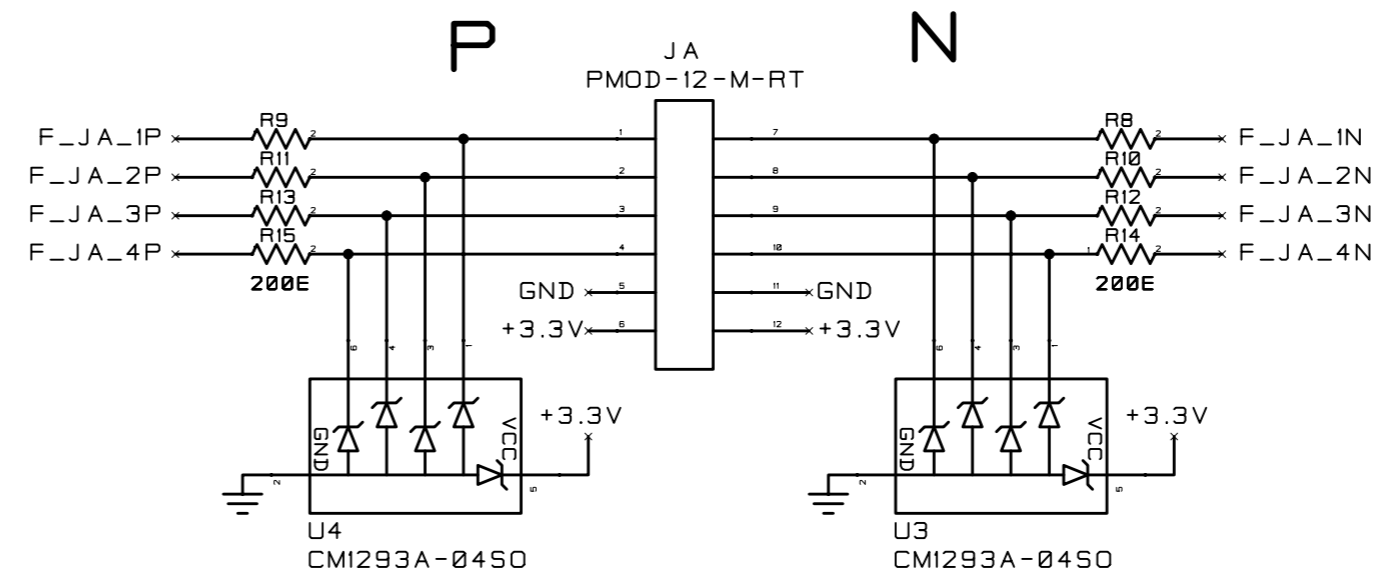
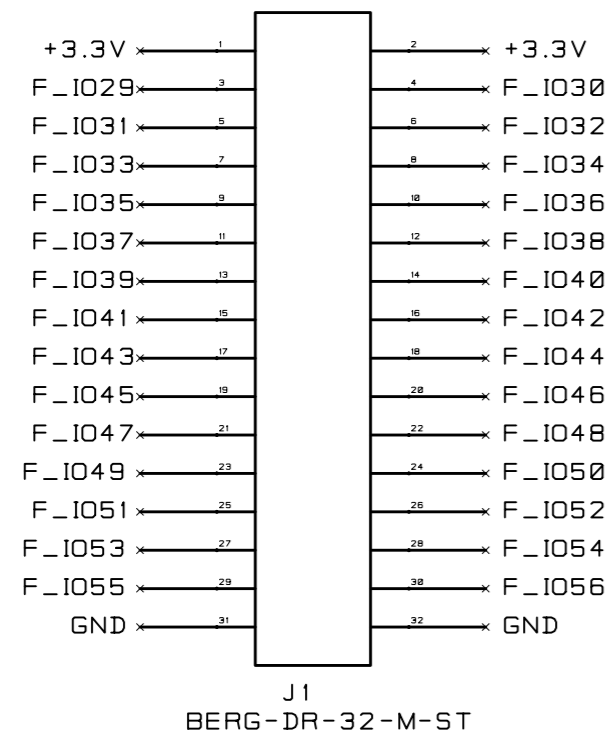
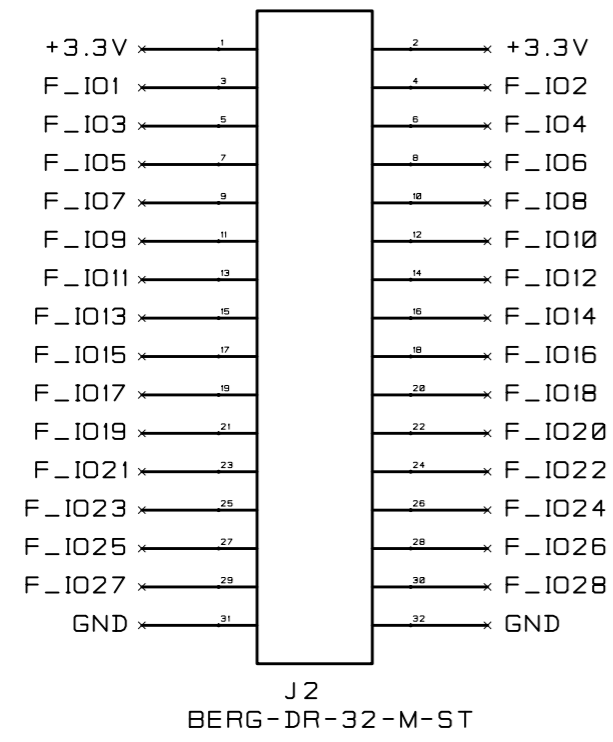


# OSCILLATOR

ONLY ONE WILL SOLDER AT A TIME



DWG NAME: PINE SPARTAN7		COMPANY NAME: FPGATECHSOLUTION	
DATE	15/11/2020	TITLE:	PINE SPARTAN7
DESIGNED		PCB NO.	PINE_S7
CHECKED		SIZE:	82mm X 128mm
DRAWN		CUSTOMER:	SHEET



DWG NAME:		COMPANY NAME:	
DATE		TITLE:	
DESIGNED		PCB NO.	REV.
CHECKED		SIZE:	
DRAWN		CUSTOMER:	SHEET